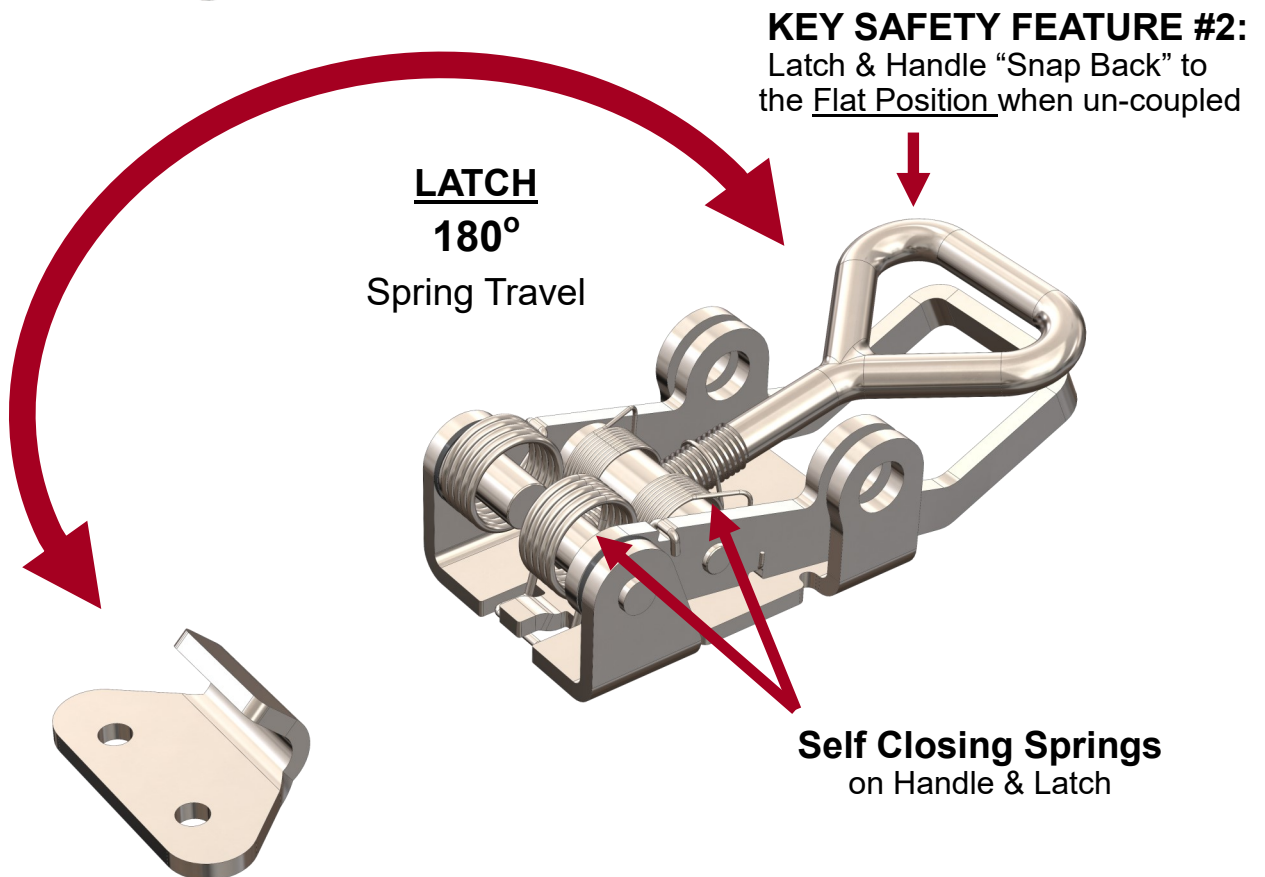
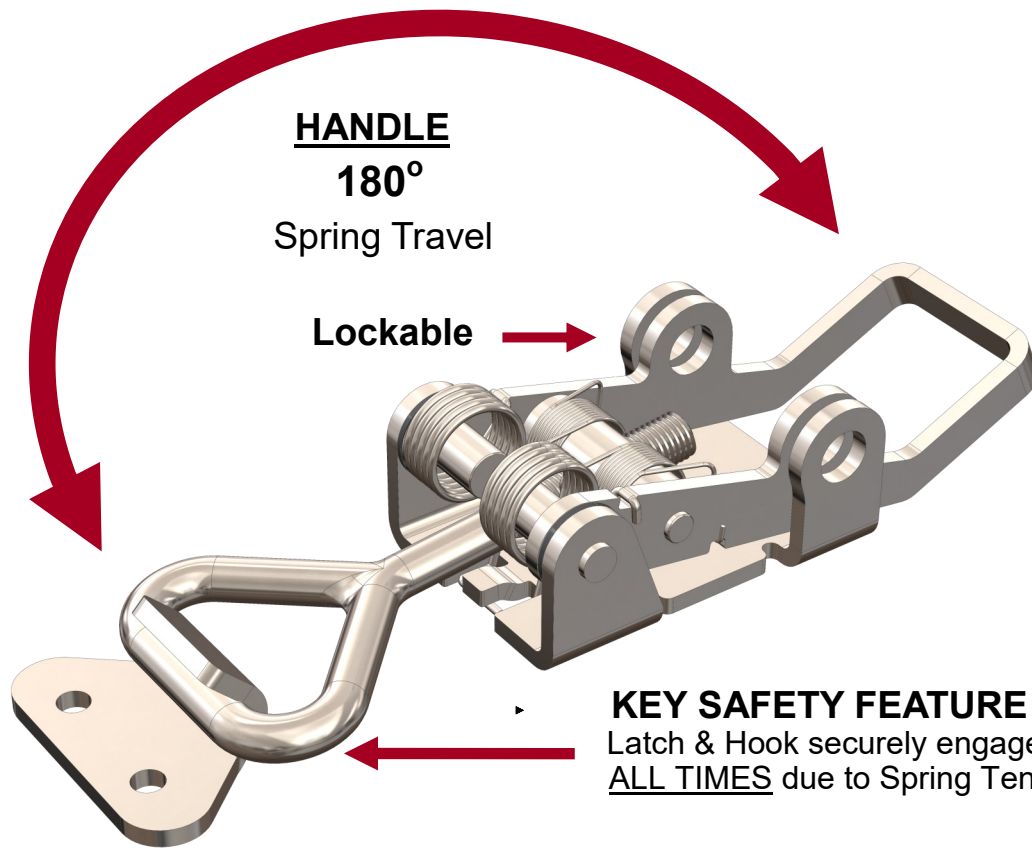


# SNAP-FLAT™

The Safe Over-Center Latch

Patent Approved



# SNAP-FLAT™

The Safe Over-Center Latch

## THE SAFE, SELF-CLOSING OVERCENTER LATCH

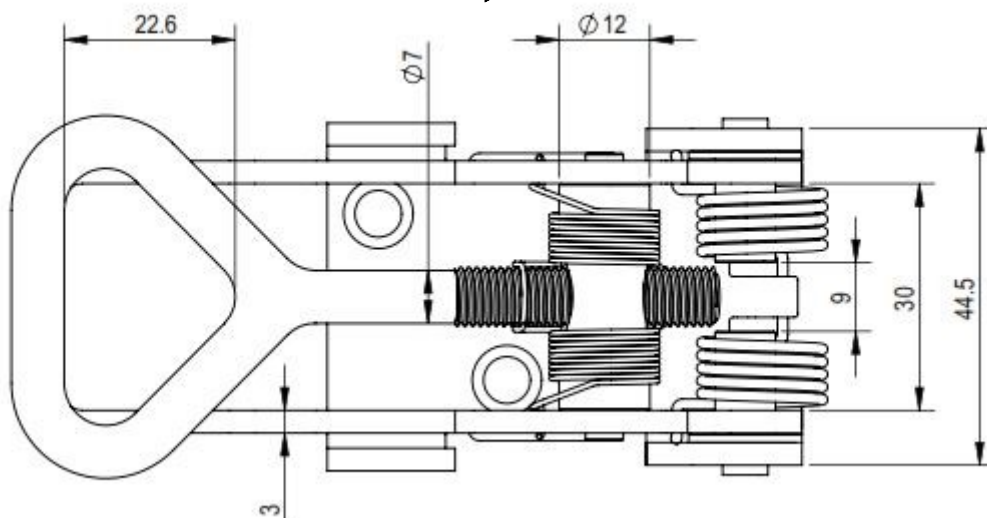
The primary feature of the SNAP-FLAT Latch is when the latch is un-coupled from the hook, the latch and handle 'Snap' back to the FLAT POSITION. This prevents damage to the latch and injuries.

The other important benefit of the Snap-Flat latch is that its spring tension prevents the latch from disengaging from the hook, even if the latch is NOT secured into the over-center position.

### BENEFITS

- ☑ **Snaps 'Flat' for SAFETY and DURABILITY**
- ☑ **Stays engaged even when NOT overcenter secured**
- ☑ **Easy to use**
- ☑ **Lockable**
- ☑ **Robust design for long term reliability and durability**

#### Basic Dimensional Data



**Patent Approved**

