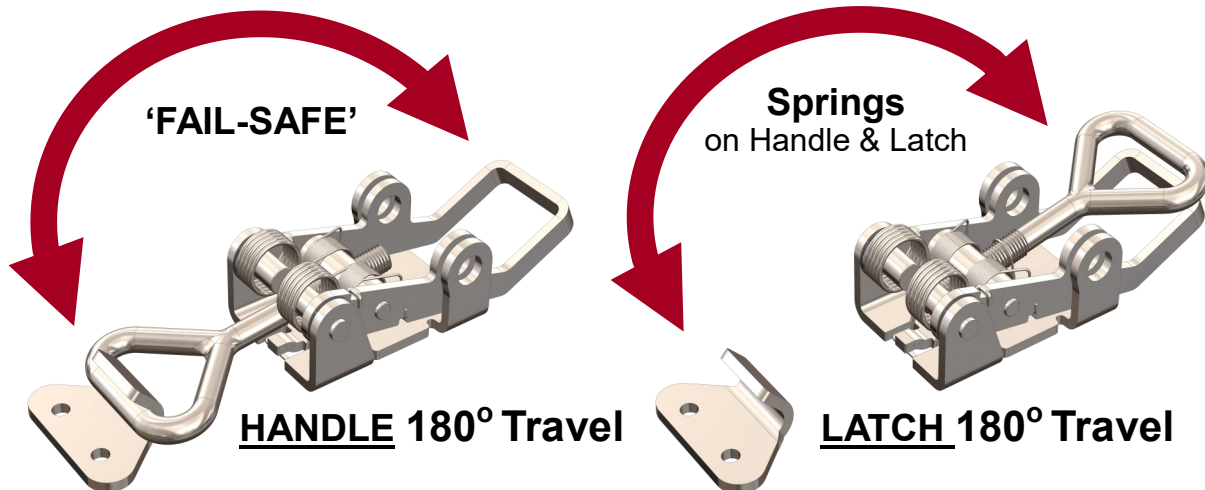


# SNAP-FLAT<sup>TM</sup>

## The Safe Over-Center Latch

### WORLDS SAFEST OVER CENTER LATCH

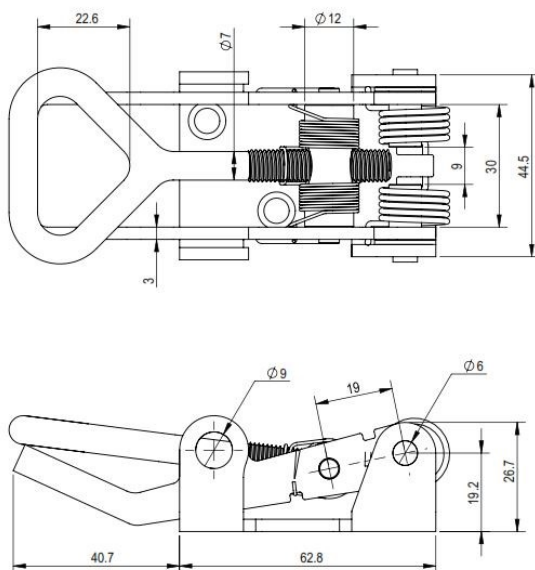


**KEY SAFETY FEATURE #1:**  
Latch & Hook securely engaged at  
ALL TIMES due to Spring Tension

**KEY SAFETY FEATURE #2:**  
Latch & Handle “Snap Back” to  
the Flat Position when un-coupled

The primary feature of the SNAP-FLAT Latch is when the latch is un-coupled from the hook, the latch and handle ‘Snap’ back to the FLAT POSITION. This prevents damage to the latch and personal injuries.

The other important benefit of the Snap-Flat latch is that its spring tension prevents the latch from disengaging from the hook, even if the latch is NOT secured into the over-center position.



**Dimensional Data**

### BENEFITS

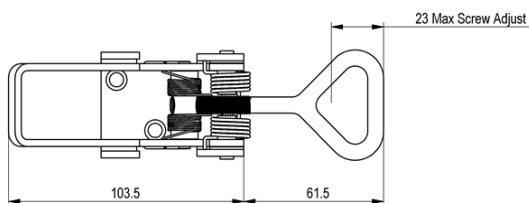
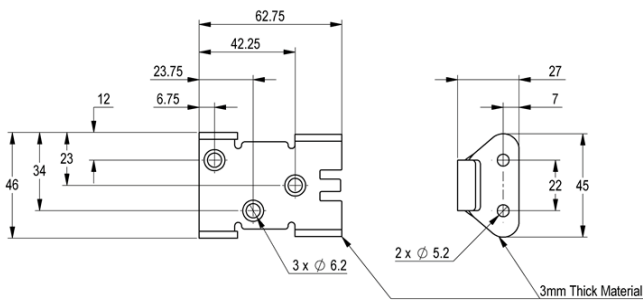
- FAILSAFE
- ROBUST
- DURABLE
- EASY TO USE
- LOCKABLE

**Patent Approved**

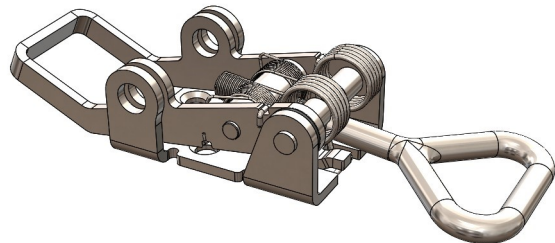
# SNAP-FLAT™

The Safe Over-Center Latch

## APPLICATIONS



Model: M8  
Part No: SFM8 304  
Material: 304 Stainless Steel



**Patent Approved**

## Installation Dimensions