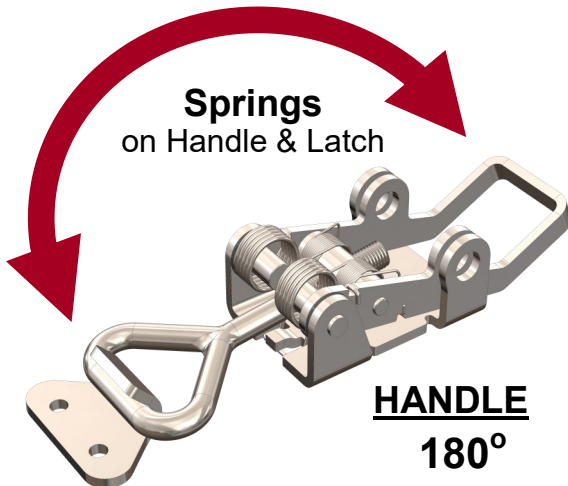


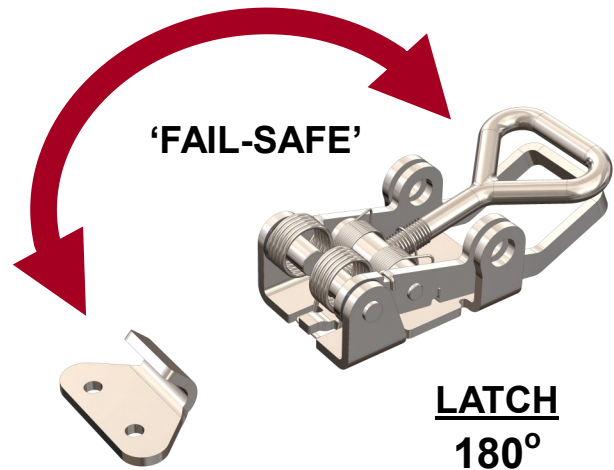
SNAP-FLAT™

The Safe Over-Center Latch

WORLDS SAFEST OVER CENTER LATCH



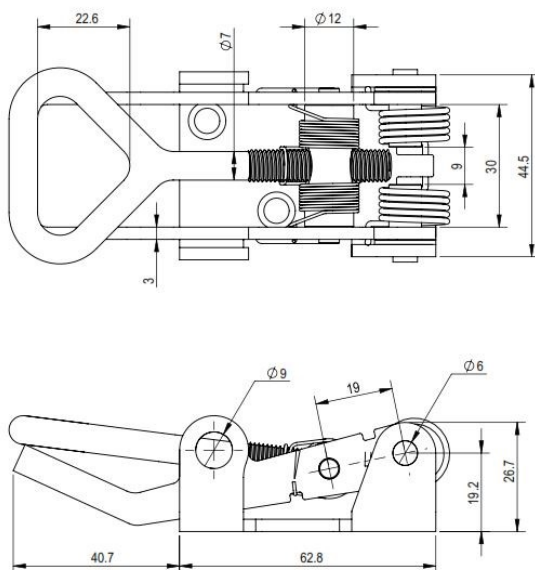
KEY SAFETY FEATURE #1:
Latch & Hook securely engaged at ALL TIMES due to Spring Tension



KEY SAFETY FEATURE #2:
Latch & Handle "Snap Back" to the Flat Position when un-coupled

The primary feature of the SNAP-FLAT Latch is when the latch is un-coupled from the hook, the latch and handle 'Snap' back to the FLAT POSITION. This prevents damage to the latch and personal injuries.

The other important benefit of the Snap-Flat latch is that its spring tension prevents the latch from disengaging from the hook, even if the latch is NOT secured into the over-center position.



Dimensional Data

BENEFITS

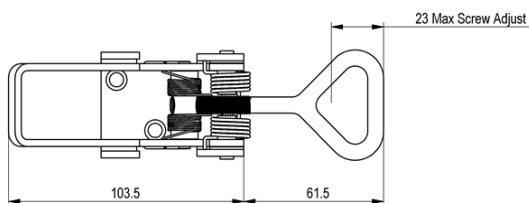
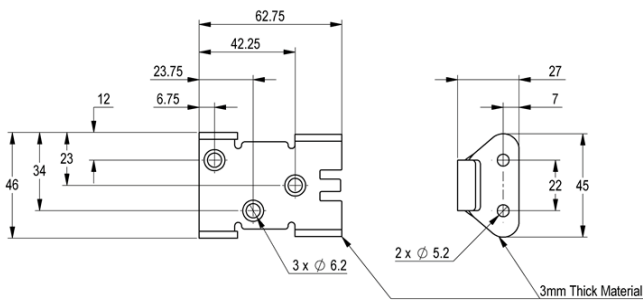
- ✓ FAILSAFE
- ✓ ROBUST
- ✓ DURABLE
- ✓ EASY TO USE
- ✓ LOCKABLE

Patent Approved

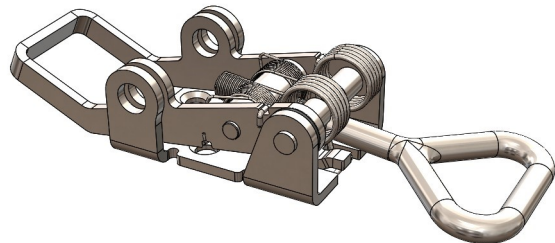
SNAP-FLAT™

The Safe Over-Center Latch

APPLICATIONS



Model: M8
Part No: SFM8 304
Material: 304 Stainless Steel



Patent Approved

Installation Dimensions